

NOTE:

1.0 MATERIAL

- 1.1 CONTACT: PHOSPHORUS COPPER
PLATING : 10u" Au OVER 30u" Ni UNDERPLATED.
80 u" Sn/Cu ON SOLDER TAIL AREA.

- 1.2 HOUSING: HI-TEMPERATURE, L.C.P
THERMOPLASTIC

- 1.3 SHELL MATERIAL : COPPER ALLEY 0.30±0.02.
FINISH : NIKEL ,

2.0 Electrical:

- 2.1 Rating: AC 5V/0.5A
- 2.2 Contact Resistance: 50m Ohm or less
- 2.3 Insulation Resistance: 100M Ohm Min at DC500V
- 2.4 Dielectric Withstanding Voltage: AC 100V for 1 minute(Cut-off: 0.5mA)

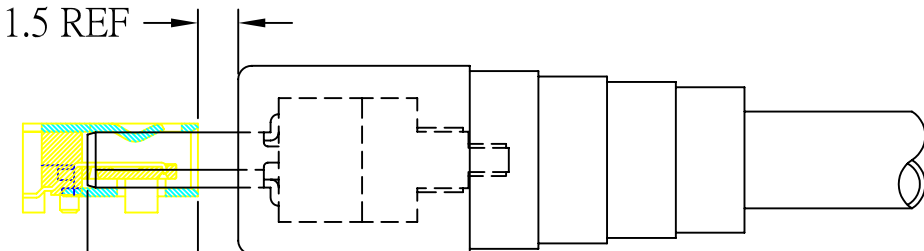
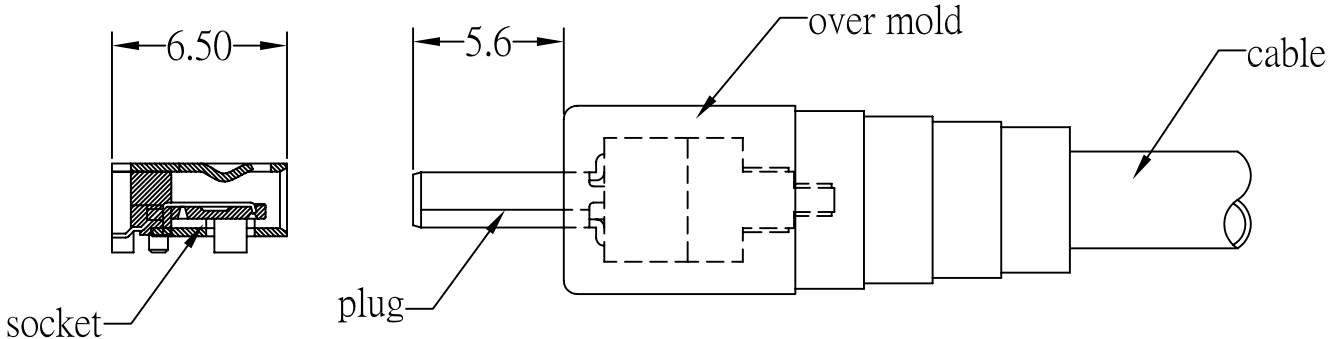
3.0 Mechanical:

- 3.1 Insertion force: 35N (3.57kgf) max.
- 3.2 Withdrawal Force: 1N (0.1kgf) min.

Remove burrs, Break sharp edges 0.4 R. max.
Stamp part no. in area indicated by "x"
Unless otherwise specified
Angle: ±1°

XX.X = ±0.20 .X" = ±
XX.XX = ±0.10 .XX" = ±.
XX.XXX = ±0.05 .XXX" = ±.

02	ADD ELECTRICAL SPEC	GEN	2005/05/10
01	設計發行	GEN	03/24/2004
Rev	Description	By	Date
PART NO	YMUVG30212	DWG NO	REV. 01
		TITLE MIN-B PLUG 8 PIN	
SHEET	1/1	App.	Date
SCALE	2:1	03/24/2004	04/02/2004
		Chk.	Date
		Drf.	Date
		CHEN	04/03/2004



(Max) 4.1

plug & socket inserted length

Remove burrs, Break sharp edges 0.4 R. max. Stamp part no. in area indicated by "x" Unless otherwise specified Angle: ±1° XX.X =±0.20 .X" =± XX.XX =±0.10 .XX" =±. XX.XXX =±0.05 .XXX" =±.	01	設計發行		CHEN	2005/03/01
		TITLE	plug & socket inserted length		
	SHEET 1/1	App.	Date	Chk.	Date
	SCALE 2:1	2005/03/01	2005/03/01	CHEN	2005/03/01
譽盛精密工業股份有限公司					